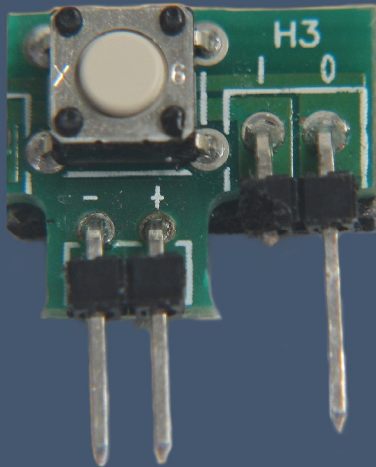


MeerKat Systems, Inc.

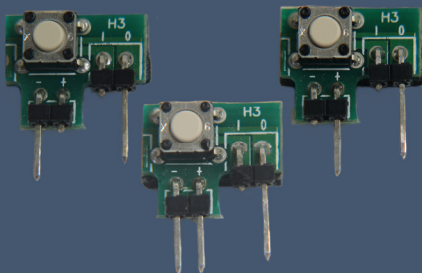
Visit our web site at <http://www.meerkatsystems.net>

Tactile Switch for Solderless Breadboard Pull-Up or Pull-Down Switch Part Number 20-000-029

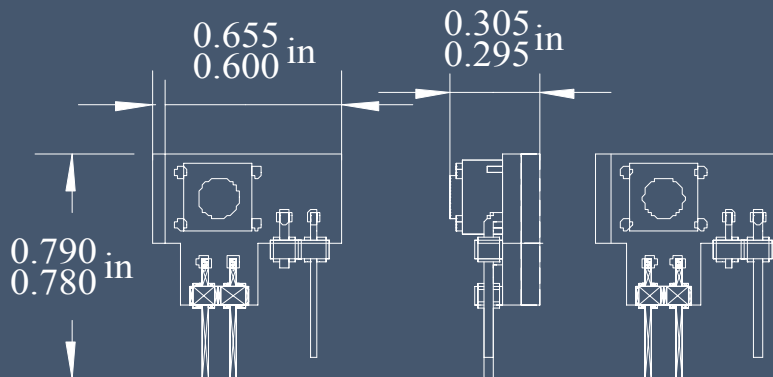
SPST-NO Tactile Switch for Experimental, Prototyping, R&D, and University Laboratory



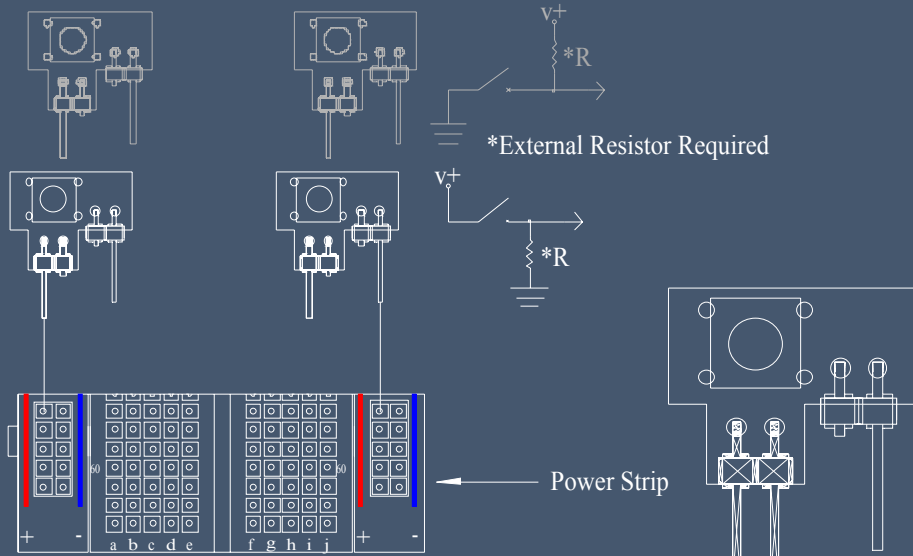
- SPST-NO Tactile Switch
- Pull-Up or Pull-Down Switch
- *External Resistor Required
- Size: 0.79" x 0.65" x 0.30"
- 1,000,000 Operations
- Rating: 1 to 50 mA, 5 to 24 VDC
- Bounce Time: 5ms MAX
- RoHS Compliant
- 1 Year Warranty
- **15-Day Money-Back Guarantee**



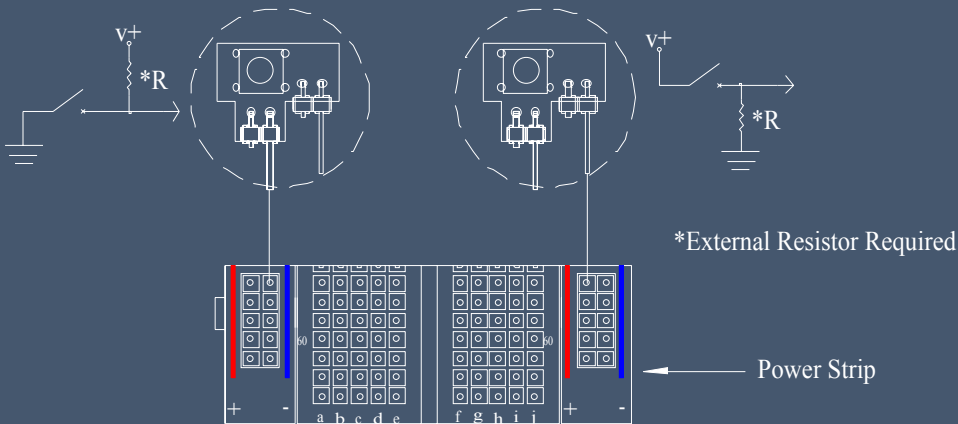
**GREAT FOR
INVENTORS
EDUCATIONAL-INSTITUTIONS
DESIGNERS
STUDENTS
HOBBYIST**



***External Resistor Required**



Left Terminal Style: Pull-Up & Pull-Down



Right Terminal Style:
Pull-Up Left Side Only
Pull-Down Right Side Only



MeerKat Systems, Inc.
PO Box 2074
Crystal Lake, IL 60039-2074

Visit our eBay Store at

<http://stores.ebay.com/MeerKat-Systems>

Copyright ©2007 MeerKat Systems, Inc. All rights reserved.

MeerKat Systems Incorporated reserves the right to make corrections, modifications, enhancements, improvements, and other changes to its products and services at any time and to discontinue any product or service without notice. Other products, logos and company names mentioned herein, are trademarks of their respective owners.