

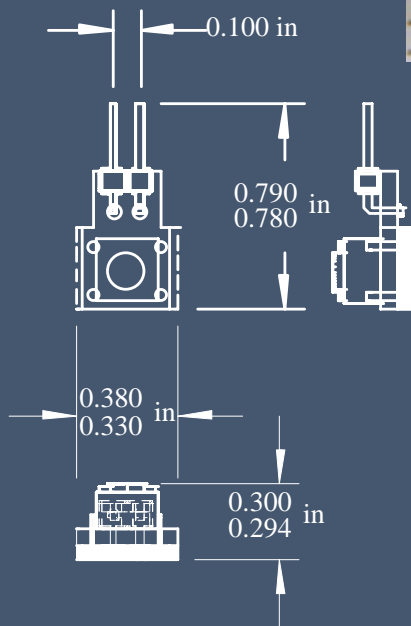
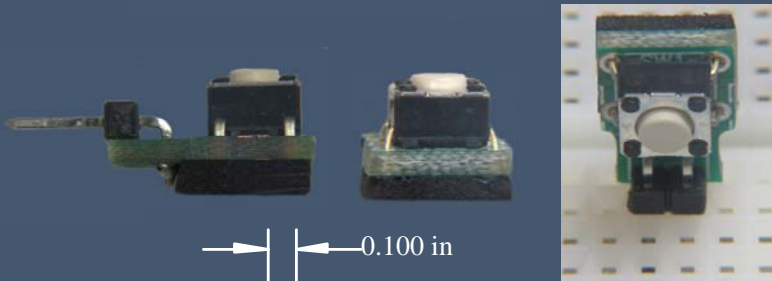
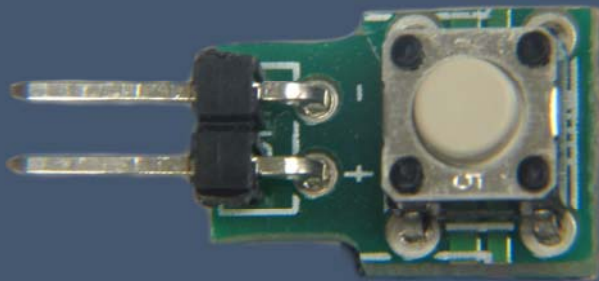
# MeerKat Systems, Inc.

<http://www.meerkatsystems.net>

## Tactile Switch for Solderless Breadboard Part Number 20-000-028

**SPST-NO Tactile Switch for Experimental,  
Prototyping, R&D, and University Laboratory**

- SPST-NO Tactile Switch
- Size: 0.790" x 0.380" x 0.30"
- 1,000,000 Operations
- Rating: 1 to 50 mA, 5 to 24 VDC
- Bounce Time: 5ms MAX
- Lead Spacing: 0.100"
- RoHS Compliant
- 1 year warranty
- **15-Day Money-Back Guarantee**



**GREAT FOR  
INVENTORS  
EDUCATIONAL-INSTITUTIONS  
DESIGNERS  
STUDENTS  
HOBBYIST**



**MeerKat Systems, Inc.  
PO Box 2074  
Crystal Lake, IL 60039-2074**

Visit our eBay Store at

<http://stores.ebay.com/MeerKat-Systems>

Copyright ©2007 MeerKat Systems, Inc. All rights reserved.

MeerKat Systems Incorporated reserves the right to make corrections, modifications, enhancements, improvements, and other changes to its products and services at any time and to discontinue any product or service without notice. Other products, logos and company names mentioned herein, are trademarks of their respective owners.